

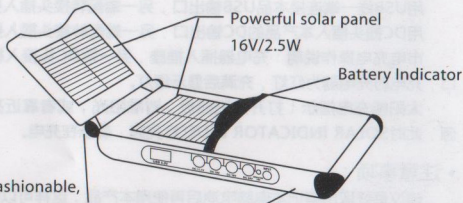


Solar Power Bank Manual

With this product, you can charge most of laptops, cell phones, digital cameras, MP3, MP4 etc , based on it's lithium polymer battery's advantages of longer rechargeable life, light in weight and more safe.

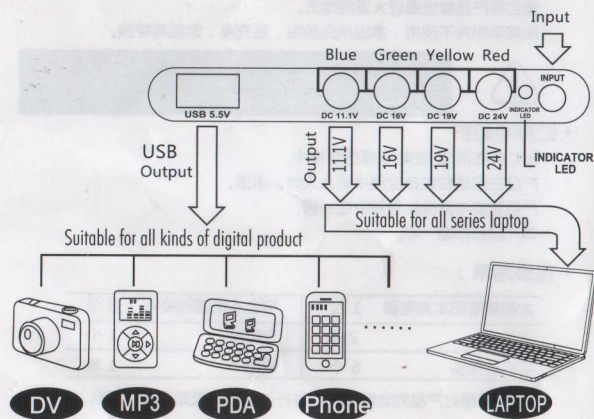
Charging mode:

1. By home electricity source 
2. By solar power 



Elaborate, fashionable, foldable and easy carrying.

Smart protection chip to protect itself if over-charging, over-discharging, overload or short circuit occur.



Operation steps:

- Built-in battery capacity: 12000mAh/ 3.7V(Li-Polymer battery)
- Solar panel: 16V /2.5W
- Input current: 800mA
- Input voltage: DC12.6V
- Output voltage: DC5.5V ,11.1V,16V,19V,24V
- Output current: 500~4000mA
- Weight: 815g

Operation steps :

Plug one port of USB wire to USB output of this device, then put relevant connector to another port to charge your device.

Plug one port of DC connect wire to DC output of this device, then put relevant connector to another port to charge your device.

How to charge by home electricity source:

Plug adapter to the socket and another DC port to the INPUT of the device. Indicator light of adapter is red when charging and turns to green after device fully charged.

How to charge by solar power:

Unfold the solar panel to the sunlight directly or close to strong light source, the SOLOR INDICATOR LED light turns to red meaning the device is charging now.



Warning

We highly recommend you removing the laptop's battery before using the device, thus can prolong it's using time. Be sure to remove laptop's battery if you want to test the standby time of this device.

Storage and protection

Storage in the clean, cool and dry environment.

Keep this device away from fire and water during transport or storage.

Keep this device away from the corrosive material.

Standard device/accessories:

Solar power bank	x1	Laptop connector	x 8
Connect wire	x2	Adapter	x1
Cell phone connector	x6	Operation manual	x1